

Ray-Vin Tactical Spotting Scope Tripod (US Patent 7,021,592)



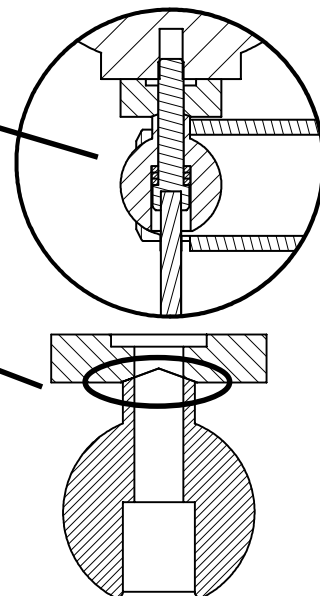
Scope Mounting Instructions:

1. Loosen the adjusting knob and position the scope head ball perpendicular to the scope head body so you can access the head of the mounting screw at the back side of the ball and re-tighten the adjusting knob. Loosen the screw and discard the nylon nut.

2. **Set the screw length:** Maintain the alignment of the Vee-Lok ball and Vee-Lok mounting plate and lightly tighten the mounting screw into your scope. Use the shortening washers to adjust the length of the mounting screw so it goes into the scope as far as possible without bottoming.

3. When the screw length has been properly adjusted, you may tighten the mounting screw. Be sure to align the vee of the ball with the vee of the mounting plate. **The mounting screw must be very tight and the vees must be properly nested.**

Note: The dog screw is provided for optional use with those scopes that have secondary holes for an anti-rotation device.



The Vee-Lok interface securely locks the ball and the mounting plate against rotation to hold your scope securely.

Using the Tactical Tripod:

To **deploy** the tripod legs, rotate the legs CCW until they stop.

To **secure** the tripod legs, rotate the legs CW until they are parallel with the shaft.

Leg **holding friction** may be adjusted by tightening or loosening the leg screw.

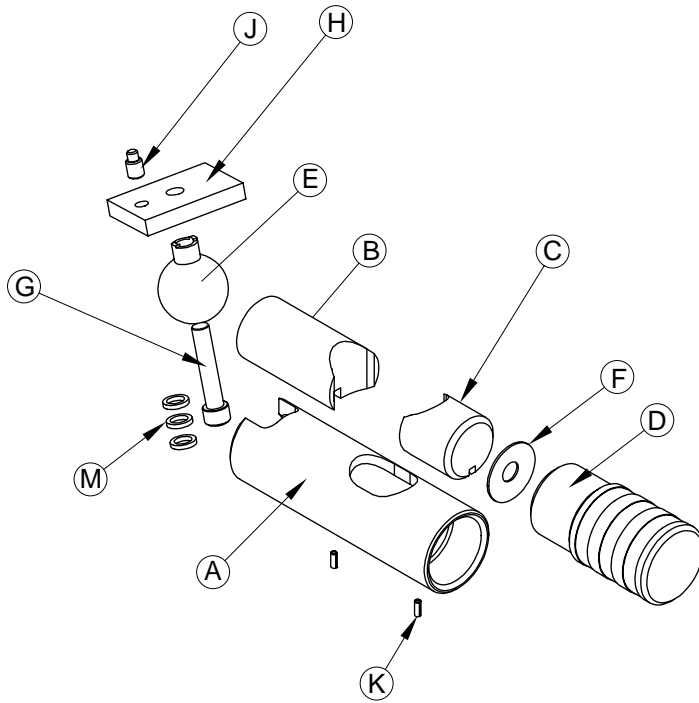
For **ground movement**, position the scope at the top of the shaft and secure the legs.

For **transport**, loosen the adjustment knob and slide the scope an head off the shaft. Position the head parallel to the scope and re-tighten the adjusting knob. Lash scope and tripod to top of pack.

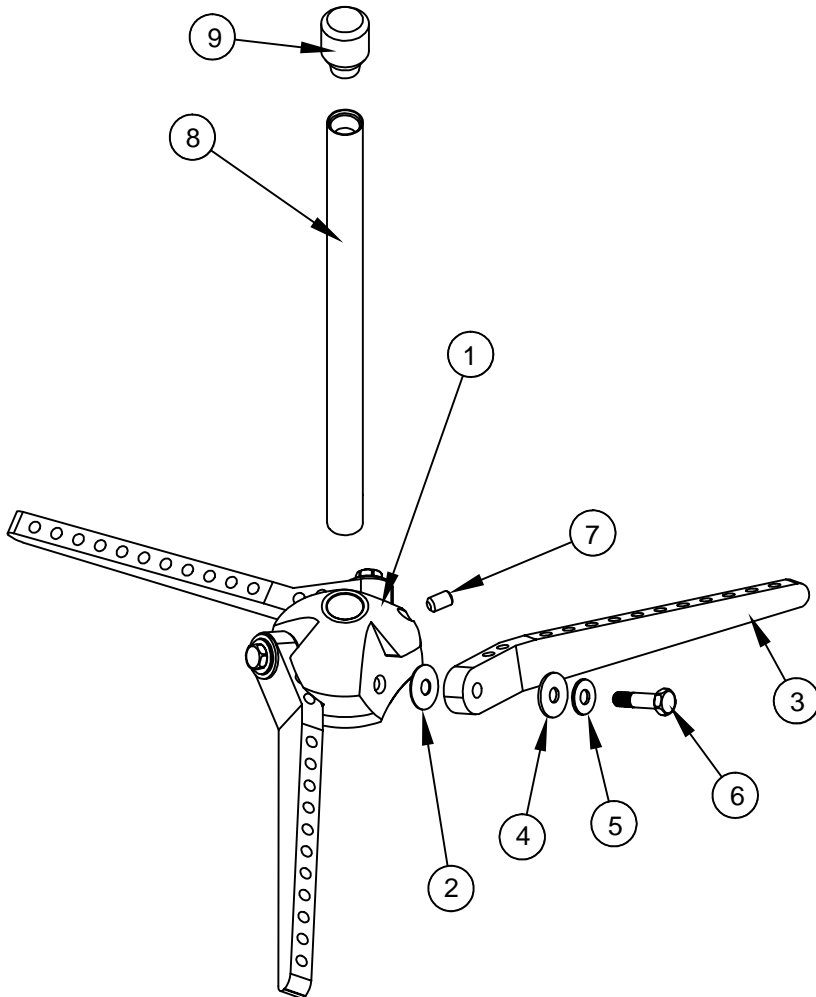
Using the Tactical Scope Head:

Important! Always support the scope with your hand whenever you loosen the adjusting knob.

1. **Loosen** the adjusting knob and position the scope anywhere on the stand and in any orientation.
2. **Snug** the knob and you can still shift the scope around for a final fine adjustment.
3. When you are satisfied with the lay of the scope, **tighten** the knob a little more to lock it in place.



Tactical Scope Head		
ITEM NO.	QTY.	PART NO.
A	1	2004-009 Body
B	1	2004-012 Ball Clamp
C	1	2004-013 Bar Clamp
D	1	2004-014 Adjusting Knob
E	1	2004-010 Ball
F	1	Belleville Washer
G	1	1-4x1.25 SHCS
H	1	2004-011 Mount Plate
J	1	M6-1.0 Dog Screw
K	2	093x250 Rollpin
M	3	Shortening Washer



Tactical Tripod Parts List		
ITEM NO.	QTY.	PART NO.
1	1	Base
2	3	Belleville Washer
3	3	Leg
4	3	NylonWasher
5	3	Flat Washer
6	3	HexHeadLegScrew
7	1	Set Screw
8	1	Bottom Rod
9	1	Top Knob