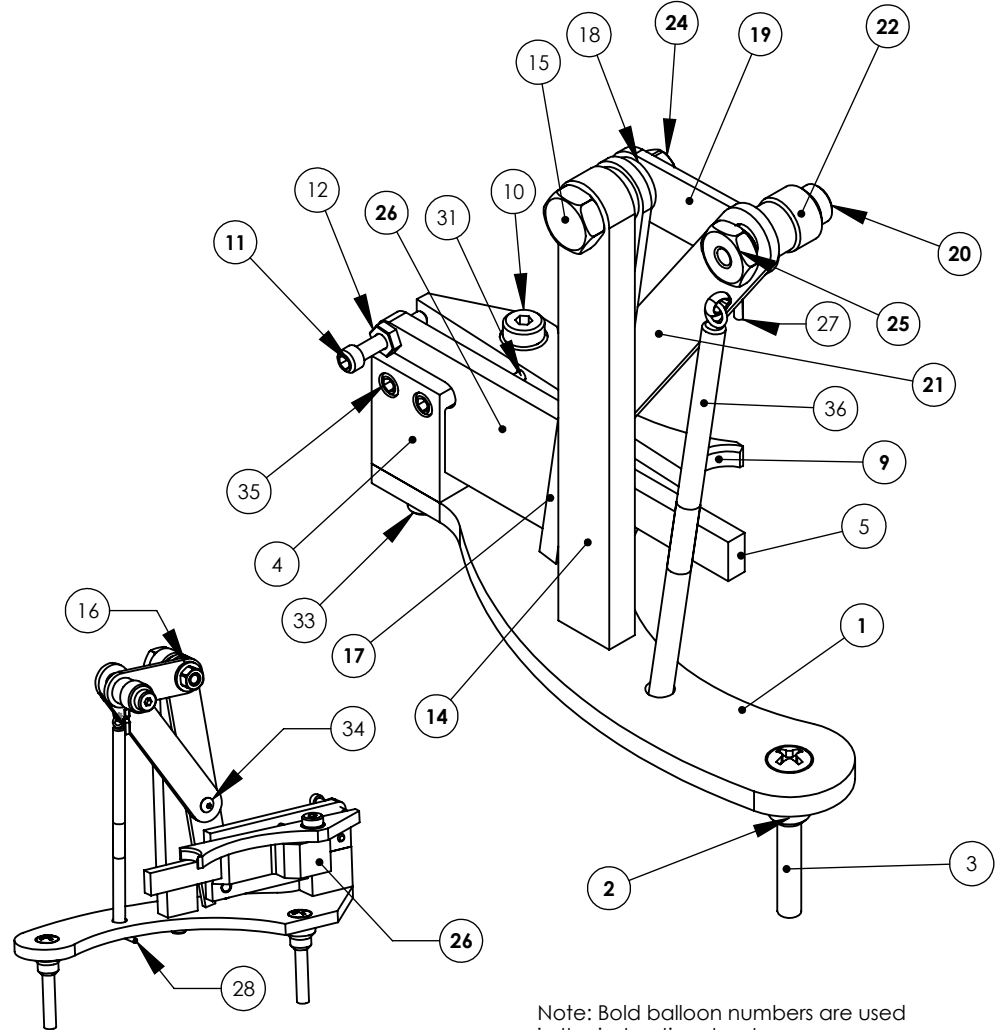


THE INFORMATION CONTAINED IN THIS DRAWING IS THE SOLE PROPERTY OF RAY-VIN, INC. ANY REPRODUCTION IN PART OR WHOLE WITHOUT THE WRITTEN PERMISSION OF RAY-VIN, INC. IS PROHIBITED. CONTACT:  
 RAY-VIN.COM, 7515 B Holley Circle  
 Panama City Beach, FL 32408  
 1-850-209-5846 email: rvb@ray-vin.com  
 www.ray-vin.com

ITEM NO.	QTY.	PART NO.	DESCRIPTION
1	1	baseplateC	Base Plate
2	2	standoff	RV
3	2	25-20 X 2 OVAL HEAD PHILIPS SS 67574566	
4	1	guidemount	RV
5	1	guidebar	
7	1	slideback	RV
8	1	slidefront	RV
9	1	pusher	RV
10	1	.3125x.250shoulder screw	McMaster
11	1	#8x1 shcs	
12	1	#8nut	
13	2	1-4x500d owell	
14	1	column	RV
15	1	armscrew	RV
16	1	arm washer	RV
17	1	driverarm	RV
18	2	spacer washer	RV
19	1	camarm	RV
20	1	.3125x.75shoulder screw	McMaster
21	1	armbrace	RV
22	1	camroller	RV
24	1	25-20 SS NUT 67580167	
25	1	locknut	RV
26	1	slide	RV
27	1	cotterpin	MSC
28	1	anchor pin	
30	1	mainspringbot	
31	1	pusher spring	MSC
32	4	125 x 375 spring pin	
33	2	#10x.75 SHCS	
34	1	#8x250BHCS	
35	2	#8x375 shcs	
36	1	mainspringtop	



Note: Bold balloon numbers are used in the instruction sheet.

ITEM NO.	PART OR IDENTIFYING NO.	NOMENCLATURE OR DESCRIPTION	MATERIAL SPECIFICATION	QTY REQD
<b>PARTS LIST</b>				
UNLESS OTHERWISE SPECIFIED DIMENSIONS ARE IN INCHES TOLERANCES ARE:		CAD GENERATED DRAWING, DO NOT MANUALLY UPDATE		
FRACTIONS DECIMALS ANGLES + .XX+ .XX + 1 .XXX+.XXX		APPROVALS	DATE	<b>RAY-VIN, INC.</b>  STAR INDEXER
MATERIAL -		DRAWN	RVB 25Oct'07	
FINISH -		CHECKED		
NEXT ASSY USED ON		RESP ENG		
APPLICATION		MFG ENG		SIZE DWG. NO.
DO NOT SCALE DRAWING		QUAL ENG		A 2007-227
				SCALE CAD FILE: SHEET OF