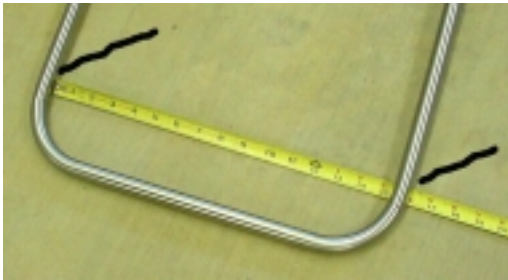


Installation instructions for Ray-Vin Shooting Cart Handle Kit HK1.
 Copyright© 2002 Ray-Vin, All rights reserved.



Position the handle clamps on the inside frame member. The handle hole may be to the front or to the rear of the frame tube. Be sure the handle stop is at the bottom of the clamp. Install only the lower screw at this time and don't tighten it up just yet.

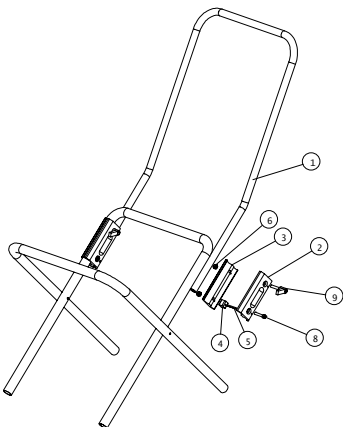


Measure the handle near the bends to determine the center distance. It is easy to measure from the inside of one side to the outside of the other side. Check the dimension at the ends of the tube and if it is not close, bend a little at a time, in or out, to get it close. This makes taking the handle in and out easier.

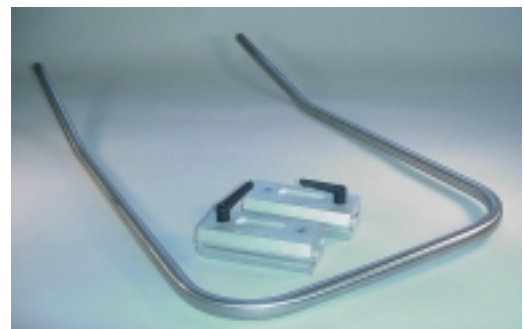
Next, put the handle down into the clamp holes. Once the handle is bottomed against the handle stops, you can twist the clamps on the stool frame to relieve any tension and get them to the same center distance as the handle. When you are satisfied, tighten only the bottom clamp screws. Try the handle in and out. If you think it should go easier, loosen one clamp at a time and twist it in or out to relieve any pressure. With a little tweeking, the handle will be easy to take on and off.

To secure the handle on the cart for towing, tighten the upper screws. If you have the optional lever screws, you will not need to carry an allen key. To align the levers on the optional screws, pull out on the handle to disengage the splines and rotate it to the desired position. When you release the handle, the spring will re-engage the splines.

The stainless steel nuts have been pressed into the clamps; however, they may loosen over time. It is a good idea to snug the top screws (or levers) when the handle is not in the stool to keep vibration from turning a screw and letting a loose nut fall out and get lost.



- | | |
|-------------------|---|
| 1. Handle | 1 |
| 2. Clamp A | 2 |
| 3. Clamp B | 2 |
| 4. Handle Stop | 2 |
| 5. Roll Pin | 2 |
| 6. Hex Nut | 4 |
| 8. Screw | 4 |
| 9. Optional Lever | 2 |



Made with Pride in the USA by
 Ray-Vin
 1844 Mt Cello Rd
 Marianna, FL 32448-5365
www.ray-vin.com email: rvb@ray-vin.com
 1-850-482-7562