

Installation instructions for Ray-Vin Shooting Cart Wheel Kit WK1.

Copyright© 2002 Ray-Vin, All rights reserved.



The axle clamps go on the outside frame tube. When in shooting position, the axle should be on the side away from the shooter. You may have to reverse your bag depending on how your stool was assembled.



Loosely attach the axle clamps with the long bar to the outside.



Slide the axle through both clamps.



Place spacers under the legs of the stool. Pieces of board, decks of cards, paperbacks. Just make sure they are about the same thickness, 2-1/2" to 3" works best.



Wiggle the axle down until both wheels are touching the ground.



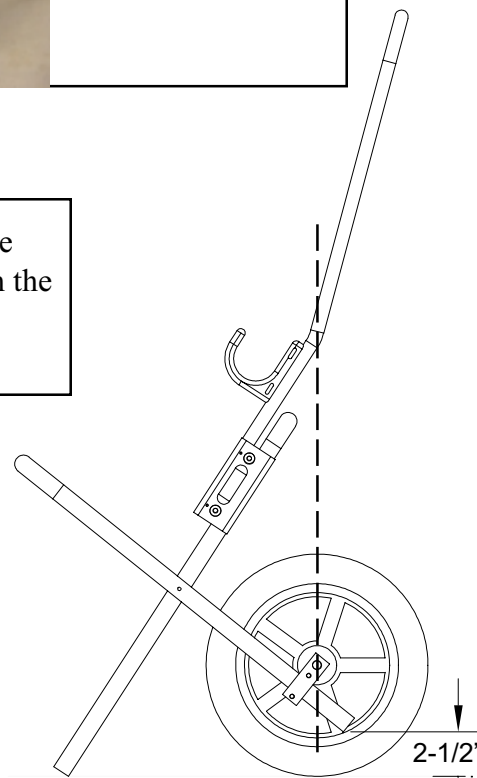
Slid the wheels on the axles and secure with the retaining rings.



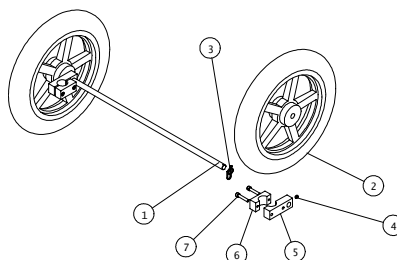
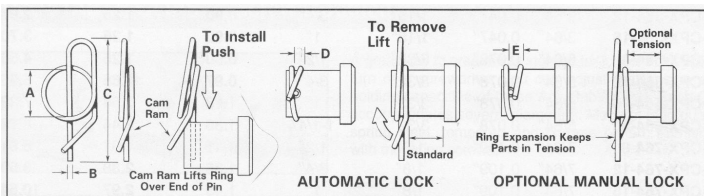
Now tighten the axle clamps.



Then tighten the axle set screws.



A heavy rifle may unbalance your kit if the hooks are behind the axle. We suggest the above configuration for the most stability.



- 1. Axle 1
- 2. Wheel 2
- 3. Retainer 2
- 4. Set Screw 2
- 5. Long Clamp 2
- 6. Short Clamp 2
- 7. Clamp Screw 4

Made with Pride in the USA by

Ray-Vin

1844 Mt Cello Rd

Marianna, FL 32448-5365

www.ray-vin.com email:rvb@ray-vin.com

1-850-482-7562