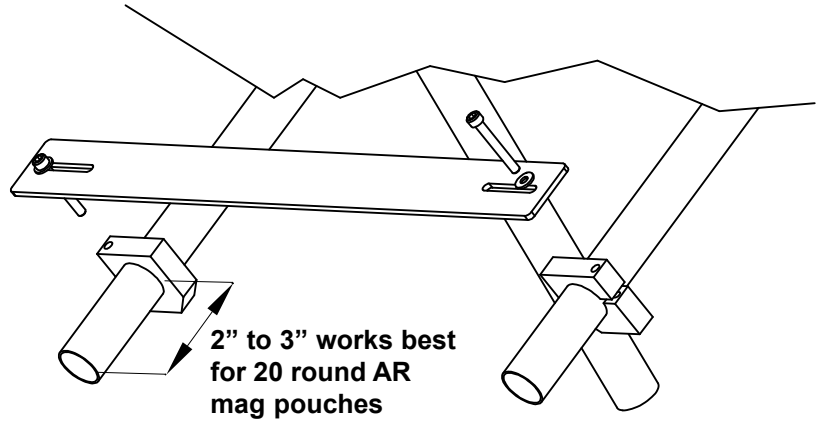


Installation instructions for Ray-Vin Accessory Bar
Copyright© 2003-2016 Ray-Vin, All rights reserved.

1. Remove screws from A-Bar clamps.
2. Remove rubber feet from front legs of shooting stool.
3. Slip A-Bar clamps onto the legs with the screw holes facing forward and the notches facing outward.
4. Mount A-Bar using screws and washers to the A-Bar clamps.
5. Mount Alice clip pouches to the bar.

Note: If clamp holes are too close together for the slots in the bar, repeat step 3, but face the notches inward.



Made with Pride in the USA by

Ray-Vin, 7515 B Holley Circle

Panama City Beach, FL 32408

www.ray-vin.com email: rvb@ray-vin.com

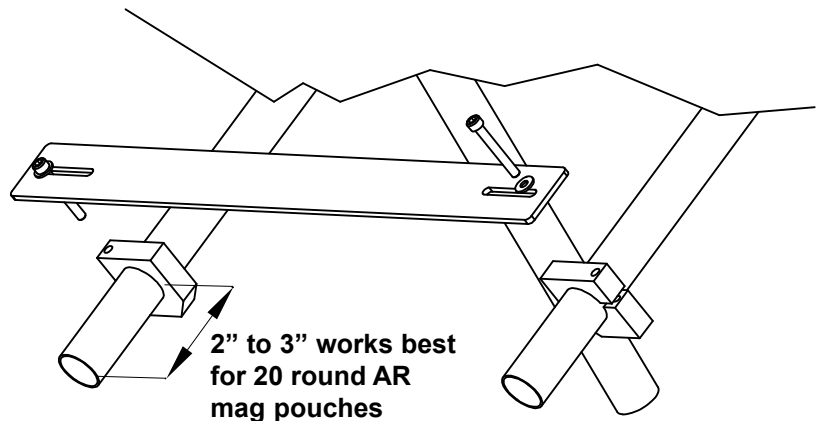
1-850-807-4130



Installation instructions for Ray-Vin Accessory Bar
Copyright© 2003-2016 Ray-Vin, All rights reserved.

1. Remove screws from A-Bar clamps.
2. Remove rubber feet from front legs of shooting stool.
3. Slip A-Bar clamps onto the legs with the screw holes facing forward and the notches facing outward.
4. Mount A-Bar using screws and washers to the A-Bar clamps.
5. Mount Alice clip pouches to the bar.

Note: If clamp holes are too close together for the slots in the bar, repeat step 3, but face the notches inward.



Made with Pride in the USA by

Ray-Vin, 7515 B Holley Circle

Panama City Beach, FL 32408

www.ray-vin.com email: rvb@ray-vin.com

1-850-807-4130

